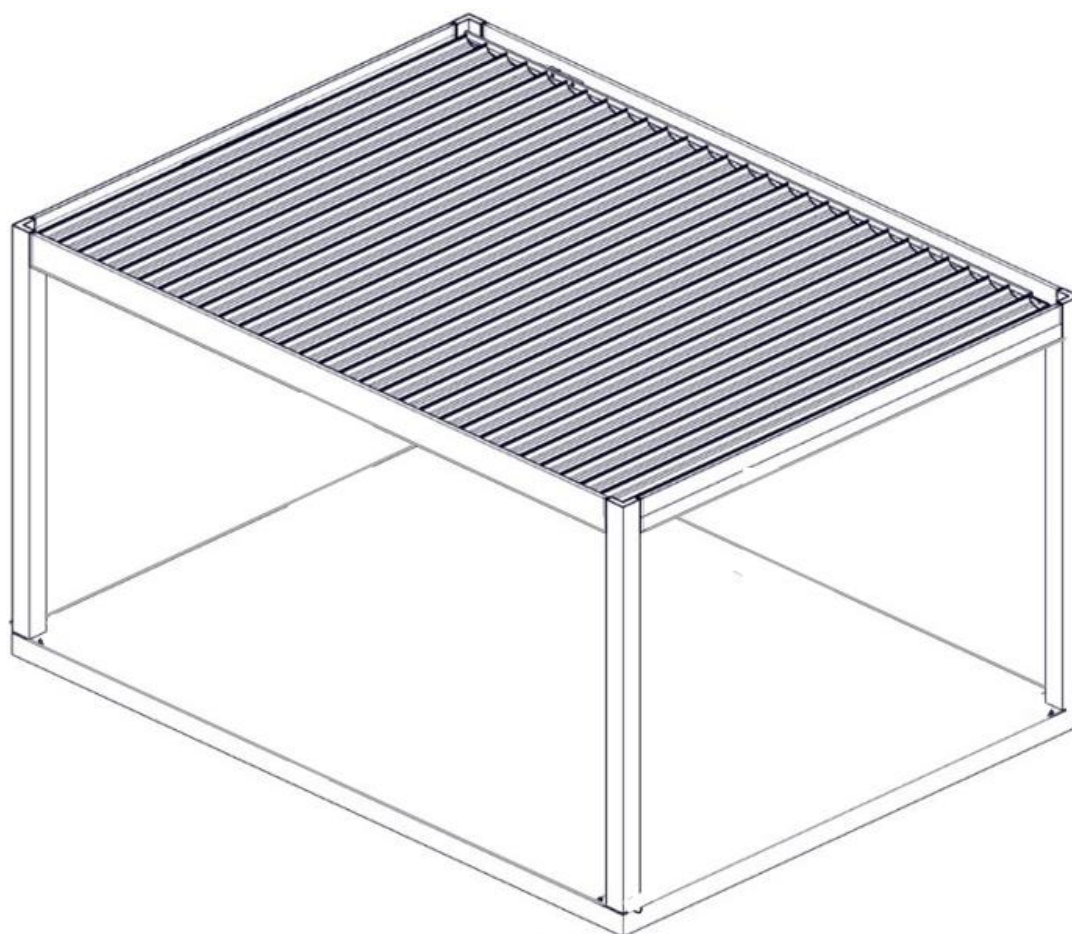


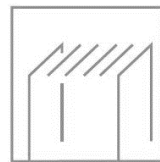
User manual / Assembly instructions Deponti Retractable Louvered Pergola

Type Pinela Deluxe

Version: EN – October 2023



www.deponti.com

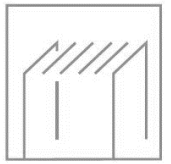


Contents

1. Introduction	3
2. Safety precautions and warnings	3
3. Product description	5
4. Parts overview	7
4.1 Terminology	7
4.2 Hardware details	8
4.3 Exploded view	9
4.4 Delivery Inspection	10
5. Preparation for assembly	11
5.1 Conditions for assembly	11
5.2 Inspection of tools and accessories	12
6. Assembly	13
6.1 Mounting the wall profile (in case of wall installation)	13
6.2 Pillar and integrated gutter connection	15
6.3 Panel installation	17
6.4 Rear mechanism house placing	19
6.5 Place the tube-motor set	21
6.6 Rail belt installation	21
6.7 Finishing	23
6.8 Middle pillar connection (optional)	25
6.9 Perimeter lightning installation (optional)	26
7. Programming instructions	28
7.1 Remote control	28
7.2 Programming of the panels	28
7.3 Programming of the lights (optional)	29
8. FAQ	30
9. Maintenance	30
10. Disposal of waste	30
11. Warranty conditions	31
12. Contact	31

KEEP THIS MANUAL IN A SAFE PLACE FOR FUTURE USE!

For the duration and the terms and conditions of the warranty we recommend that you contact your supplier. We also refer you to our General Terms and Conditions of Sale and Delivery which are available on request. Depon.. B.V. accepts no liability for any damage or injury resulting from a failure to carefully follow the instructions in this manual or exercise due caution during transport, assembly, use and maintenance of the pergola. As a result of our policy of continuous product improvement, certain product details may differ from what is described in this manual. For this reason the instructions provided only serve as a guideline for installation of the product this manual describes. This manual has been compiled with the utmost care, but Deponti B.V. cannot be held responsible for any errors in this manual or the consequences thereof. Furthermore, all rights are reserved and no part of this manual may be reproduced in any way whatsoever.



1. Introduction

Congratulations on the purchase of your Deponti pergola!

Before you can start enjoying your pergola it must be assembled properly. This manual provides clear instructions for all the steps you must complete for correct assembly of your Deponti pergola. We recommend that you take the time to read the entire manual before you begin the assembly. Check whether you have received all the necessary parts before you begin assembly. For your safety, follow all the applicable instructions. This also guarantees the safety of the installed roof. If you should have any questions, please feel free to contact your Deponti representative.



READ
CAREFULLY

This manual should be kept in a safe, dry and shady place. In the event of damage or loss, the user must request a new copy of the manual from the partner.

2. Safety precautions and warnings

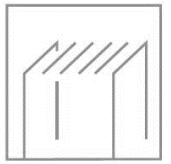


Important:

Please read the safety precautions and warnings before assembling the pergola.

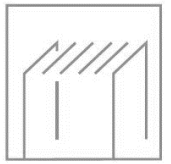
- During assembly, carefully follow the instructions and guidelines as described in this manual. Never change the order of the steps to be performed. If any aspect of the assembly procedure is unclear, please contact your Deponti representative. We reserve the right to make technical changes without written notice.
- We normally recommend that the pergola must be assembled by at least two people (qualified technicians/authorized installers) working together.
- Check the delivery immediately upon receipt. In the event of damage or an incomplete delivery please contact your representative immediately.
- The materials must be stored in a dry, ventilated area, not exposed to direct sunlight.
- Open the packaging carefully. Make sure that you do not damage the product.
- To prevent damage to your pergola, place the parts on a smooth, clean surface. Place the profiles on a flat surface, protected from sun and rain.





2. Safety precautions and warnings (continued)

- Adding or removing parts, the use or installation of materials other than described in this manual, may adversely affect the safety of the pergola and is therefore strongly discouraged!
- Pay attention and be aware of moving parts. Make sure that all power supply is cut off during the assembly.
- Cordon off the assembly location so that others are kept at a distance.
- Always wear the correct protective clothing (work gloves, dust mask, safety glasses, shoes with non-slip soles, etc.) during installation or servicing.
- Mount the system against a firm, flat wall and on a flat and stable foundation. Ensure that the wall and the ground are clean and dry.
- **Never** step or walk on the panel system.
- You must maintain and clean your pergola at least once a year. During this yearly maintenance make sure all fasteners are properly tightened.
- Dispose the product in accordance with local laws and regulations.
- It is forbidden to tamper with the bioclimatic pergola system.
- When safety regulations and instructions are not followed correctly, Deponti B.V. will not accept responsibility for damage(s) and injuries.



3. Product description

The Pinela Deluxe is a bioclimatic pergola system with a retractable and rotatable panel system. The retractable Pinela Deluxe panels can be opened. When opened it can give an open roof space of %79 of the total covered area, due to the synchronized movement of the smooth designed panels.

When closed, the panels will protect you from the sun and rain. The Pinela Deluxe can also carry limited and defined snow loads.(see below).

The pergolas have an integrated Somfy Tubular Motor and is operated by the radio control transmitter.

Available dimensions of the Pinela Deluxe:

Width (mm):	3000 / 3500 / 4000
Projection(mm):	3014 / 3571 / 4128 / 4964 / 6078*
Panel width (mm):	315,4 (projection 27.9 cm/panel)

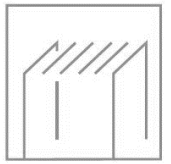
*Additional centre pillar(s) can be added to the Pinela Deluxe to cover local snow load requirements.

NOTE: All pillars have a length/height of 350cm and don't have a foot base / base plate.

When assembled as a freestanding pergola with additional mounting bracket, the maximum gutter height is 250cm. The extra length of the pillar is to prevent collapsing.

Optional additions:

- Perimeter lighting system
- Mounting bracket for pillar



Snow load & Wind resistance

The snow load and wind resistance is adaptable to the steel construction according to the statically calculated profile section and connection type.

Snow load [kg/m²]:

No. panels:	Projections [mm]:	Width [mm]:		
		3000	3500	4000
10	3014	245	223	195
12	3571	229	195	173
14	4128	190	156	132
17	4964	98	78	68
21	6078	243*	221*	193*

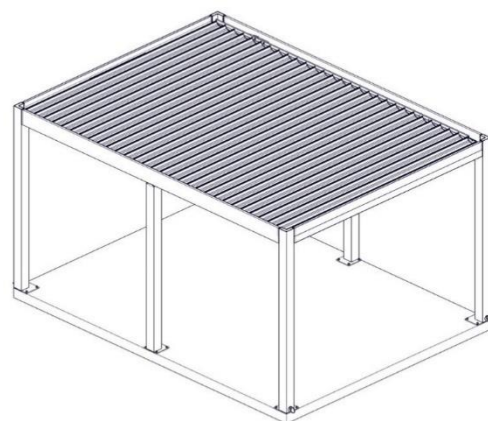
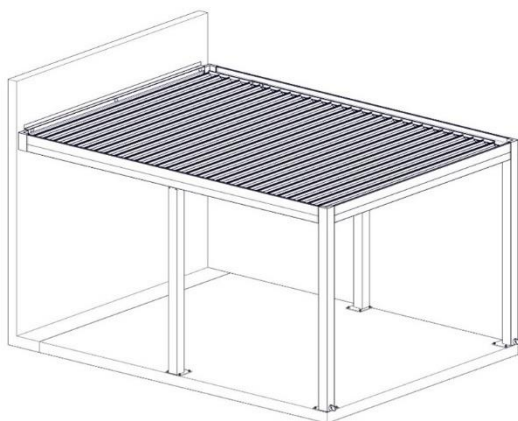
* Based on additional centre pillar(s)

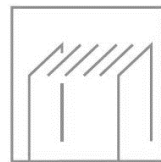
Wind resistance:

Max. wind resistance for all available dimensions: 24.7 m/s (10 Beaufort / 0.38 kN/m²) in open position.

Placement options:

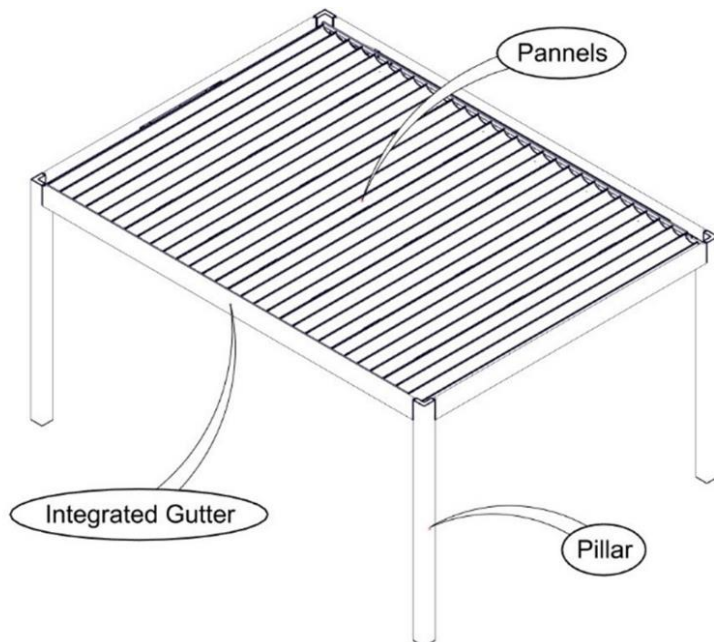
It is possible to place the Pinela Deluxe freestanding or mounted to a wall.



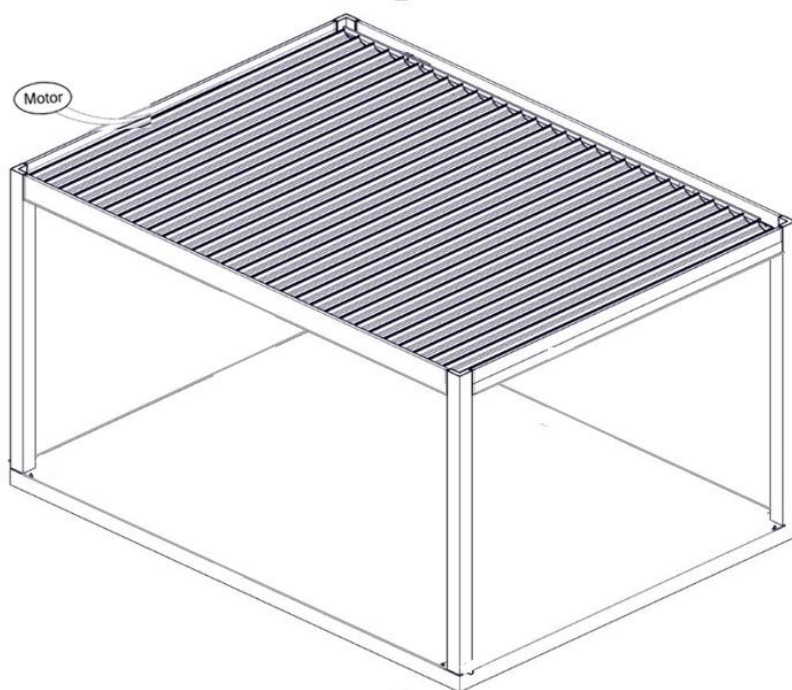


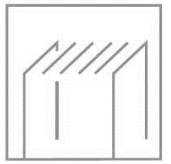
4. Parts Overview

4.1 Terminology



The motor requires 230V / 50Hz. If you have added a LED lighting strip to your Pinela Deluxe, you must use the lighting control box. The control box requires 230V / 50-60Hz as well.

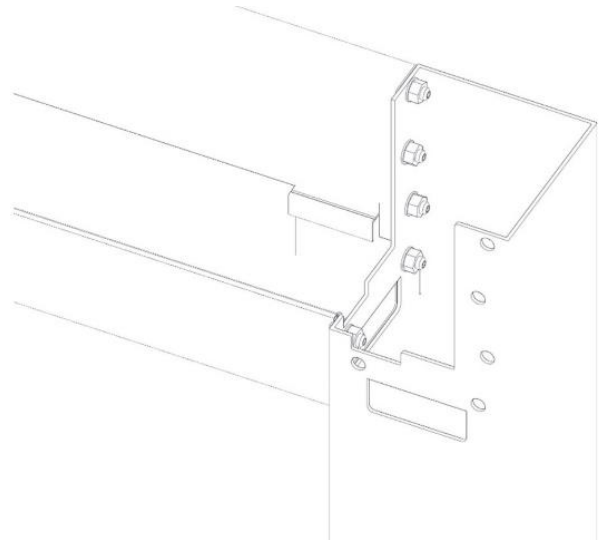
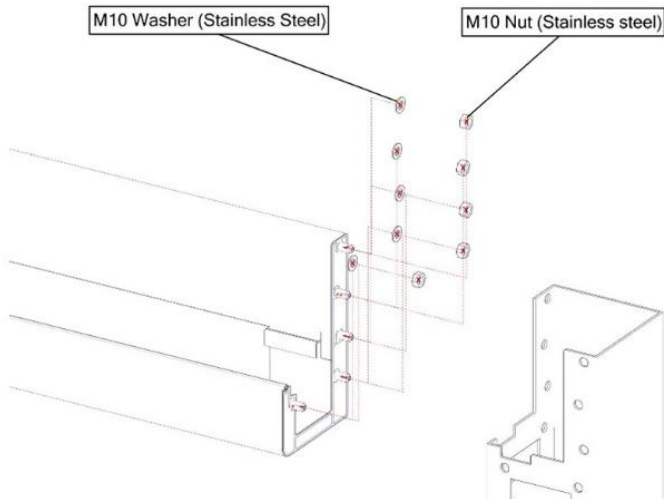




4.2 Hardware details

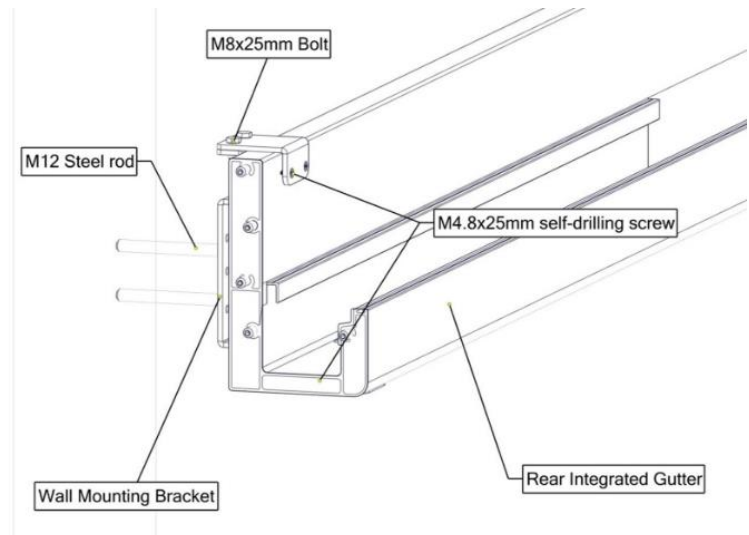
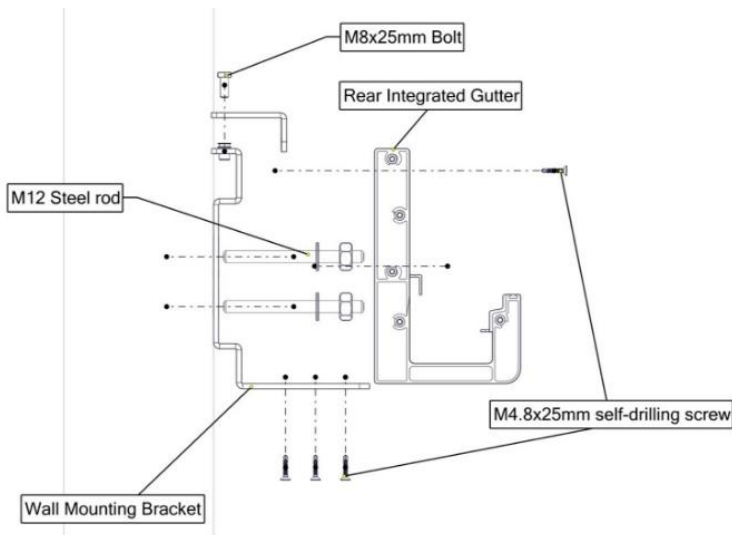
Integrated gutter – Pillar connection (Freestanding)

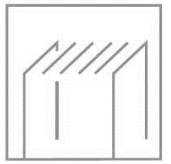
- a. M10 nut Stainless Steel
- b. M10 washer Stainless Steel



Integrated gutter – Wall bracket (Wall mounting)

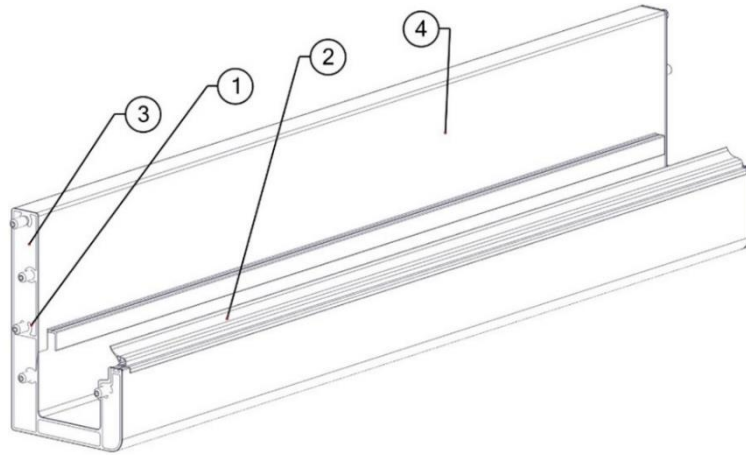
- a. M8x25mm Bolt
- b. M4,8x25mm self-drilling screw





4.3 Exploded view

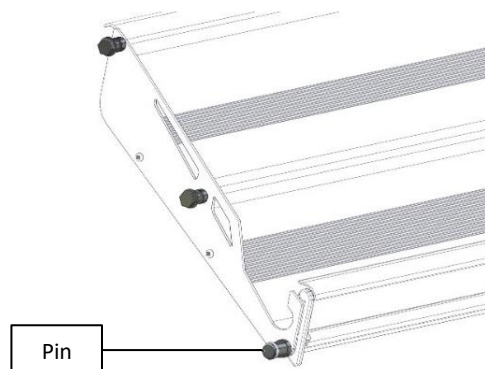
4.3.1. Exploded view - Integrated Gutter



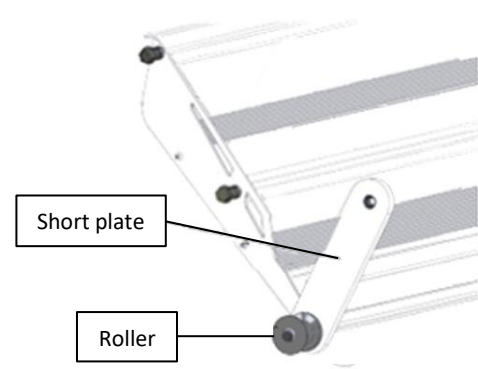
BOM ID	Description	Qty
1	M10x60mm stay bolt	10
2	Gasket	1

BOM ID	Description	Qty
3	Side gasket	2
4	Integrated Guter Profile	1

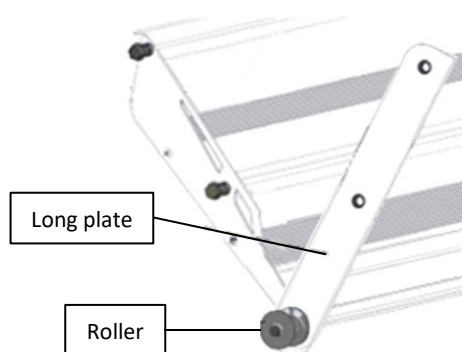
4.3.2 Exploded view - Panels



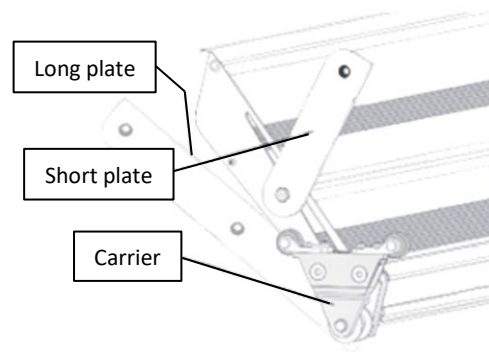
Panel Type 1 - This one is mounted to the side with the motor



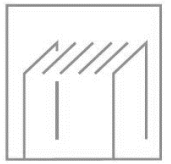
Panel Type 2 – This one is placed directly behind the panel Type 1



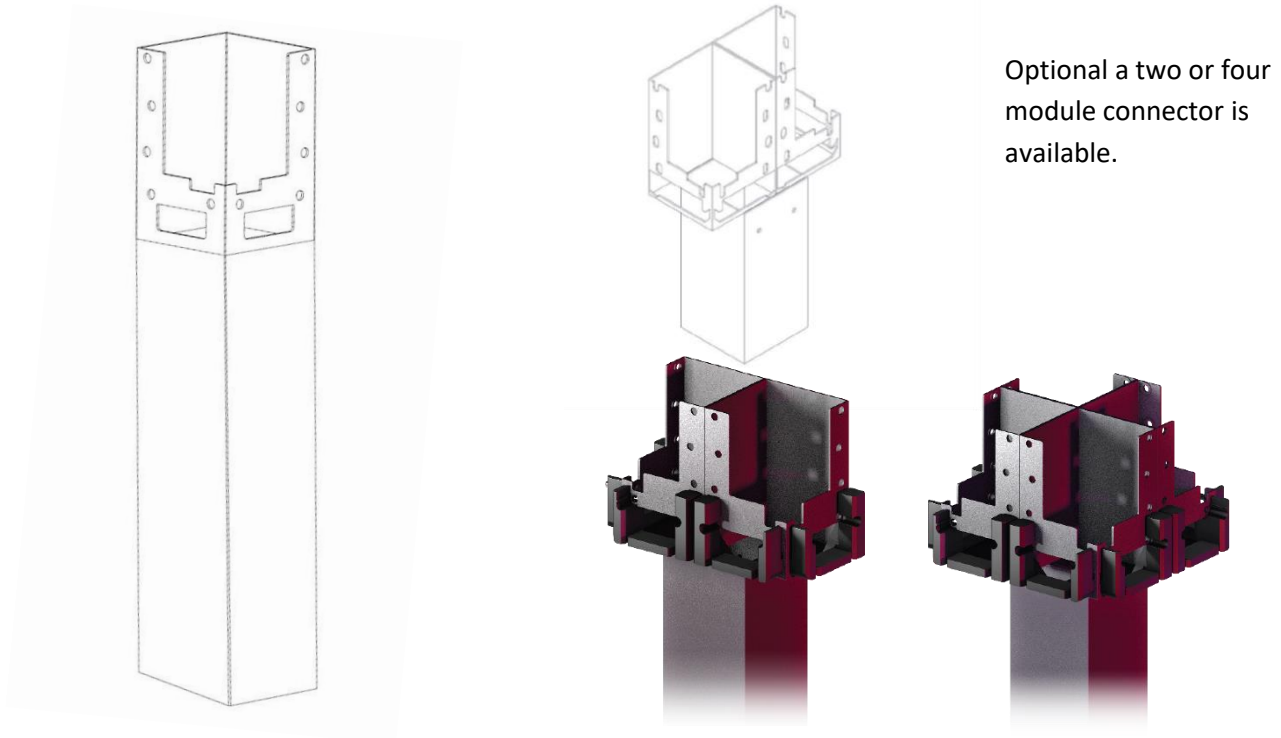
Panel Type 3 – These are placed repeatedly behind panel Type 2



Panel Type 4 – This is the final panel to be placed on the roof



4.3.3 Exploded view pillar

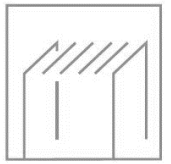


4.4 Delivery Inspection

Note: Always carefully check the delivered items against the accompanying delivery note to ensure that the quantity and quality are correct. Any visible defects must be reported in writing within 7 days of delivery.

There are 2 boxes with 2 different colors

1. Boxes with red label: Electronic parts like Control Unit Box, Remote Controls.
2. Boxes with blue label: Metal parts like U Brackets, Mounting brackets, Pillar caps



5. Preperation for assembly

5.1 Conditions for assembly

Ground & façade

- A good flat stable surface is required for construction of the pergola.
- The location where the system will be placed must be construction-ready and free of obstacles (garden furniture, flower boxes, etc.) so installers can perform their work without hindrance.
- Any obstacles, including utility lines (such as power cables, etc.), roots and debris, must have been removed from the ground.
- The façade must be free of sun shades, etc.
- The area where the wall profile will be placed must be firm, even and flat.

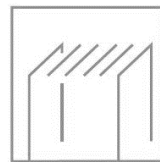
Attachments at walls

- Due to expansion of the materials, the pergola may not be placed tightly between two walls; there must be a gap of 1.5 mm per metre of width of the pergola.

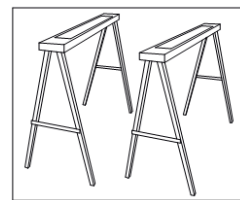
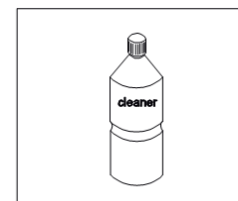
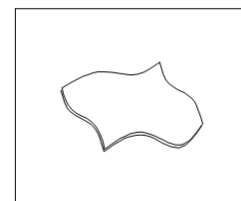
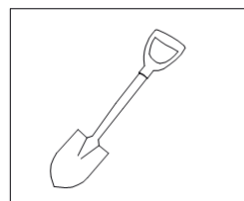
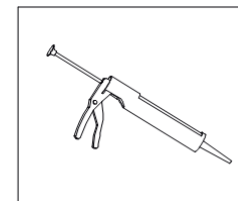
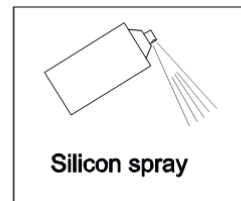
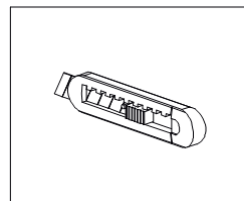
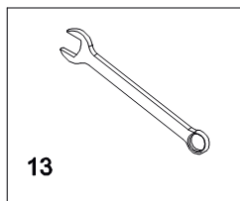
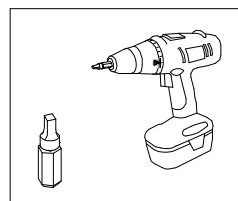
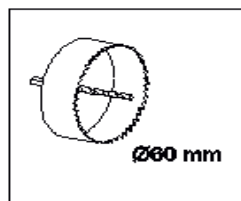
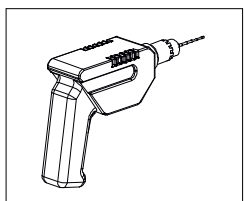
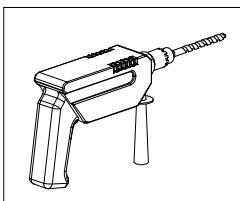
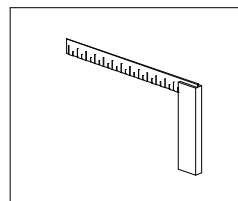
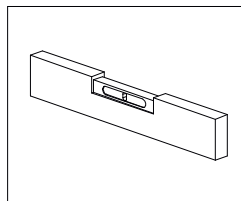
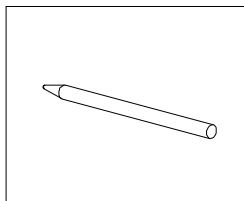
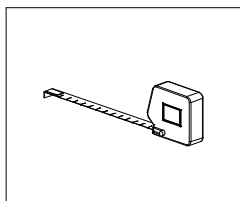
Rubber seals

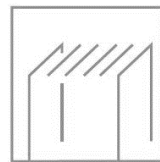
- A Deponti pergola is standard equipped with pre-assembled rubber seals.
- If the rubber seals are deformed, they can be straightened with a little heat, from a hot air heater or hair dryer for example.

Warranty is void if the Pinela Deluxe pergola is not assembled and installed in accordance with the instructions.



5.2 Inspection of tools and accessories

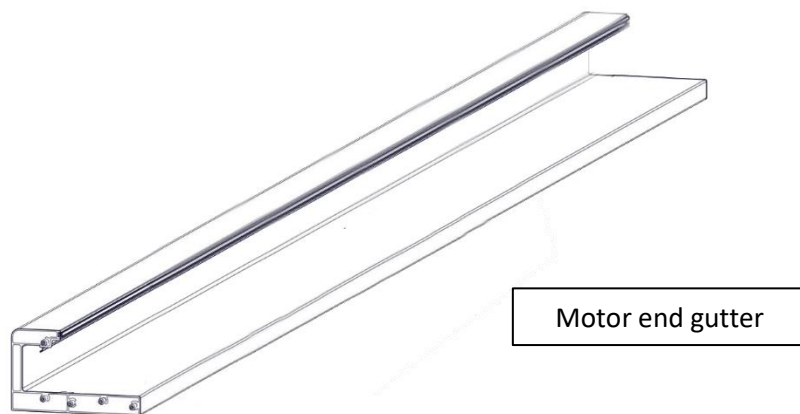




6. Assembly

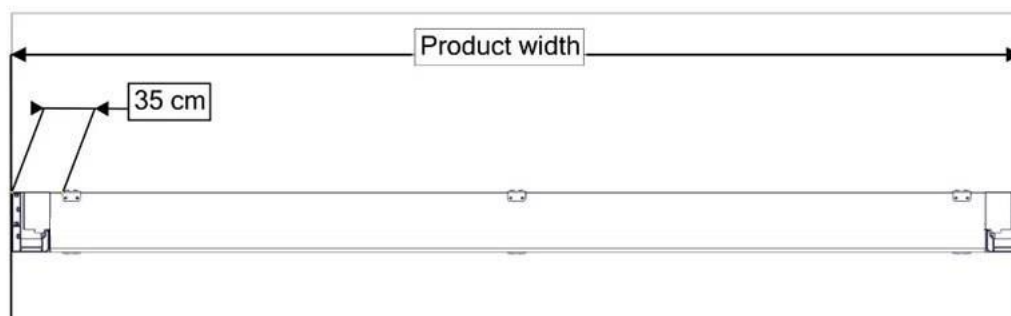
First decide where you want the rainwater discharge post. Drill the hole in the post. You can assemble the Pinela Deluxe by following the next steps.

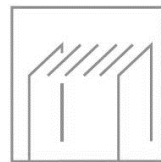
NOTE: The rear integrated gutter has been escalloped CNC machine in order to place the motor tube.



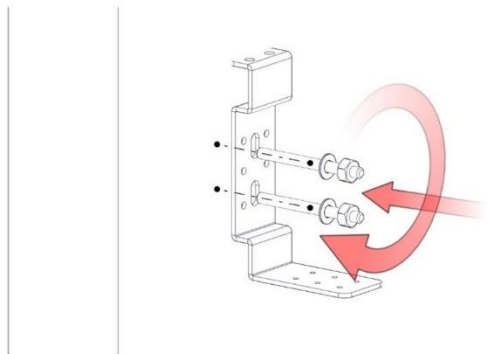
6.1 Mounting the wall profile (in case of wall installation)

1. Define the wall mounting bracket position on the wall. Mount the roof under a slope of 5mm.

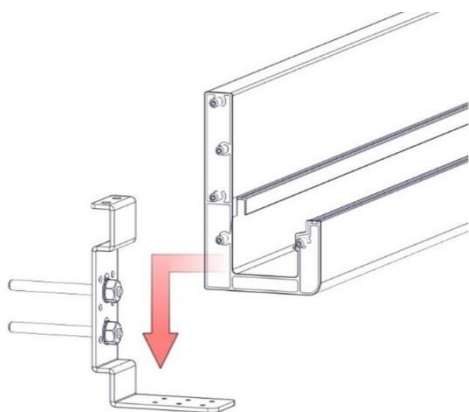




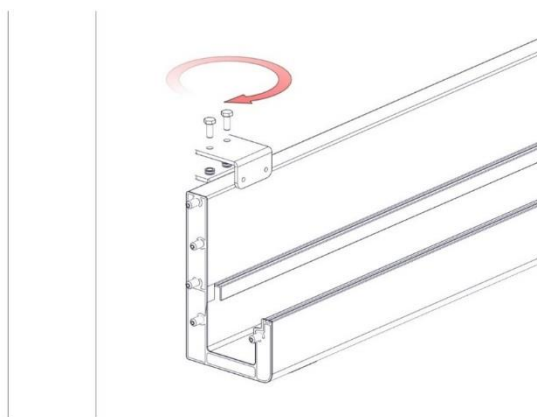
2. Fasten the brackets to the wall. Use the correct hardware for your situation. We suggest a minimum size of M12.

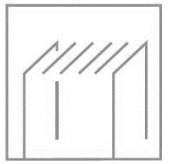


3. Place the integrated gutter on the wall mounting bracket.

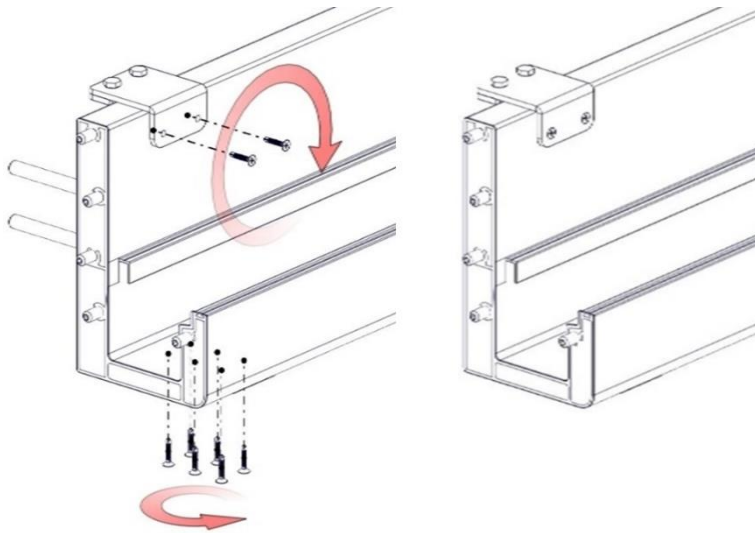


4. Fasten the wall mounting bracket cover on top and tighten it with M8x25mm bolts.





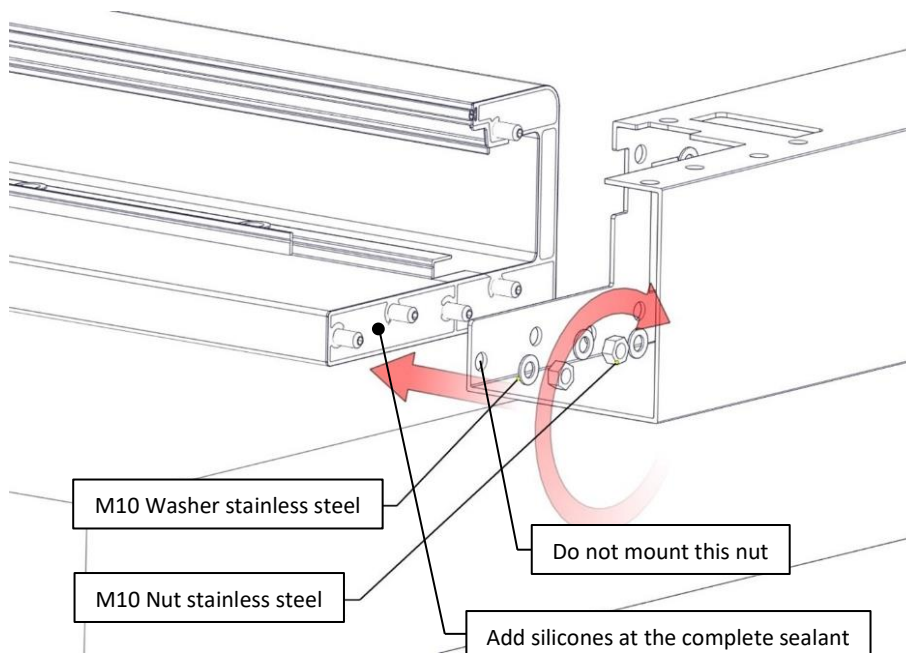
5. Fix the self-drilling screws to the integrated gutter and wall mounting bracket.

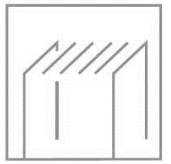


6.2 Pillar and integrated gutter connection

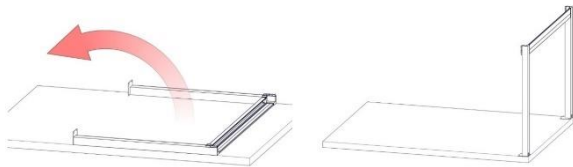
1. Determine which post will be used as the rainwater discharge post. An rainwater discharge hole has to be drilled in this post. Place this upright on a flat, solid surface and determine the location for the hole. Now drill a hole in the post. Although the diameter of the hole is flexible, we recommend a diameter of 60mm.

2. Fix the aluminium pillar and rear integrated gutter on both sides on the ground with M10 Sealed Nuts as shown at below figure.

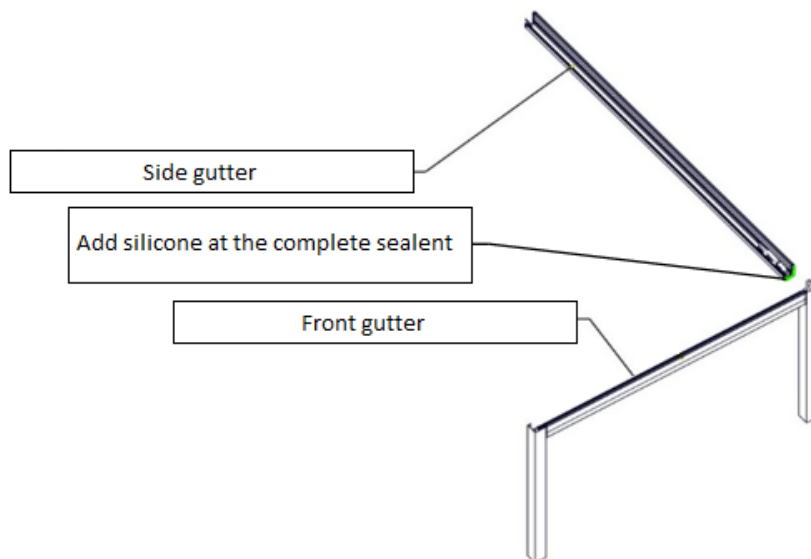


**NOTE:**

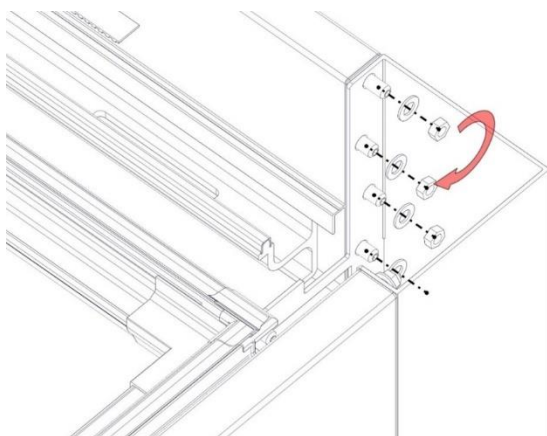
- Lift up the rear frame.
- Don't work alone. You may need an extra hand.
- Rear frame should be lifted up and fixed to the ground.

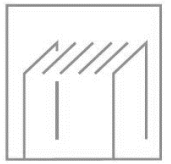


3. Connect the integrated gutter and lateral integrated gutter in a position as shown at below figure.



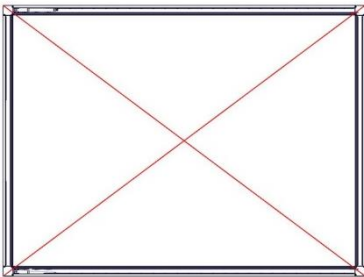
4. Fix the lateral side integrated gutter to the rear integrated gutter with M10 Sealed Nuts.



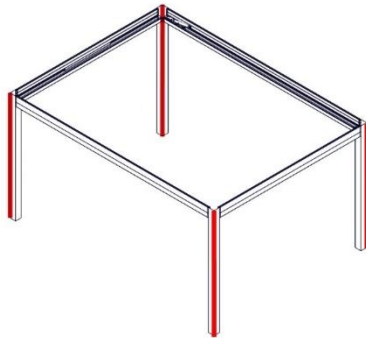


5. Check if the structure is level on all sides.

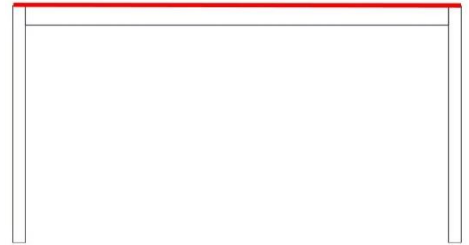
Check the cross



Check the pillars level

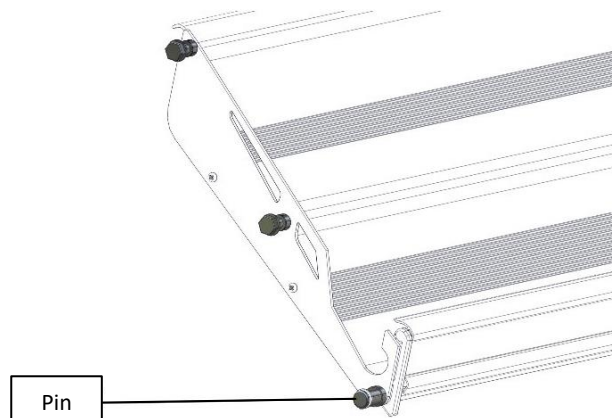


Check the lateral gutters level



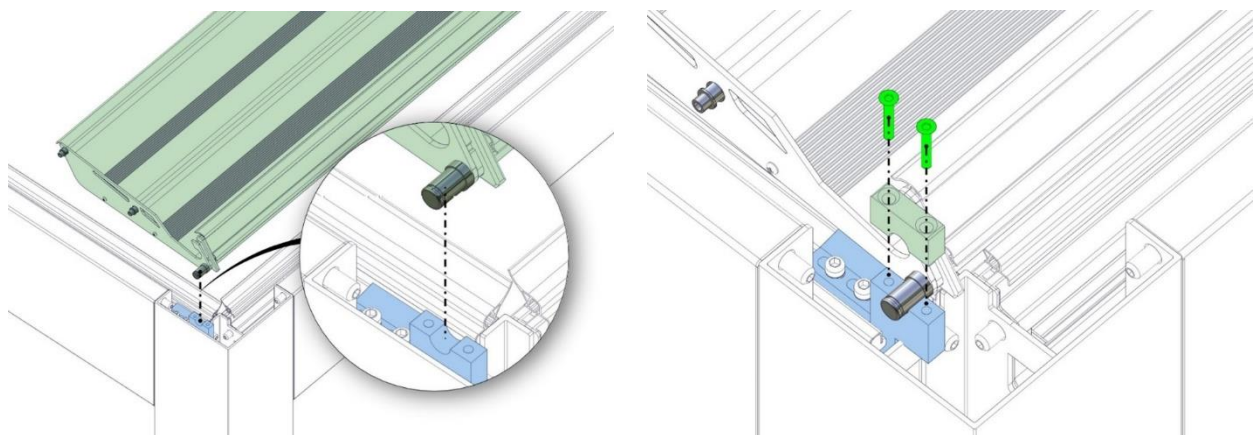
6.3 Panel installation

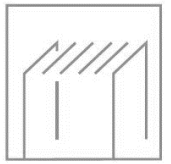
1. When placing the panels, start at rear (motor side). The rear panel has a short pin.



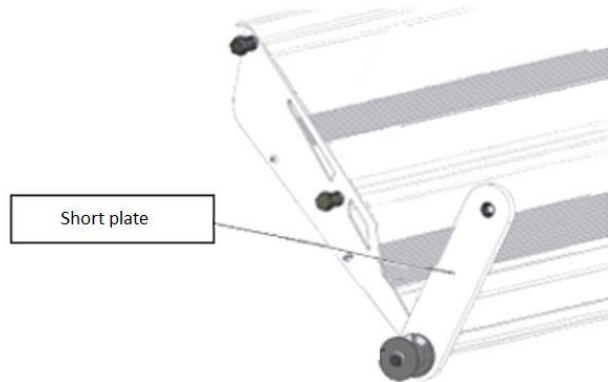
Panel Type 1 Mounted on motor side

2. Place the short pin into the housing and fix it with the clamp and the a M5 head bolt.



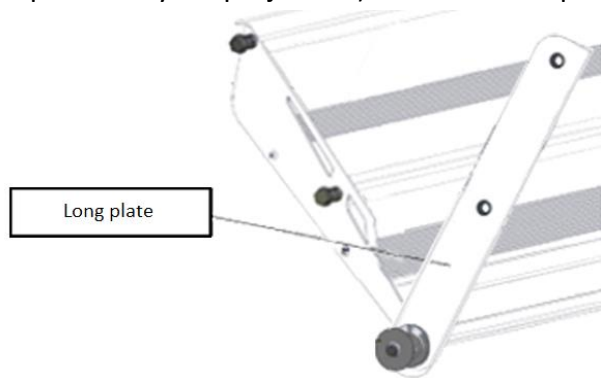


3. When you fixed the short panel, the next panel in line is a type-2 panel. There is a short plate, a long plate and its carrier. Place the panel in front of the first panel and fasten with the M6 special bolts.



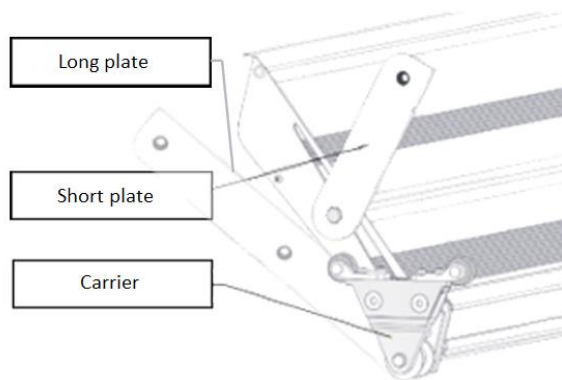
Panel Type 2 This is directly behind type 1

4. In front of the panel type-3 there should be standard panels (the number of panels depends on your projection). The standard panels are all the same.



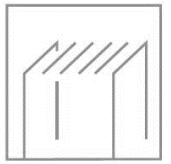
Panel Type 3 This type is directly after type 2, comes in plural

5. The last panel is the panel with a locomotive carrier.

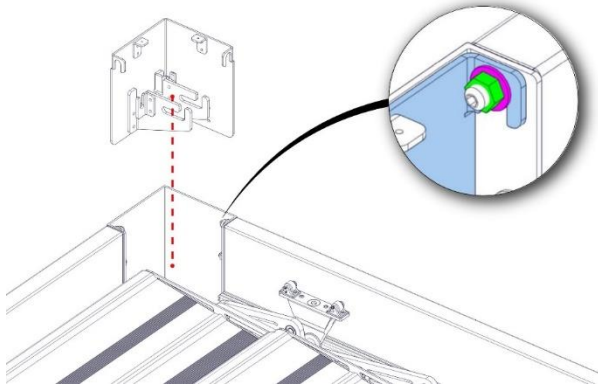


Please note: The louvers gather towards the motor

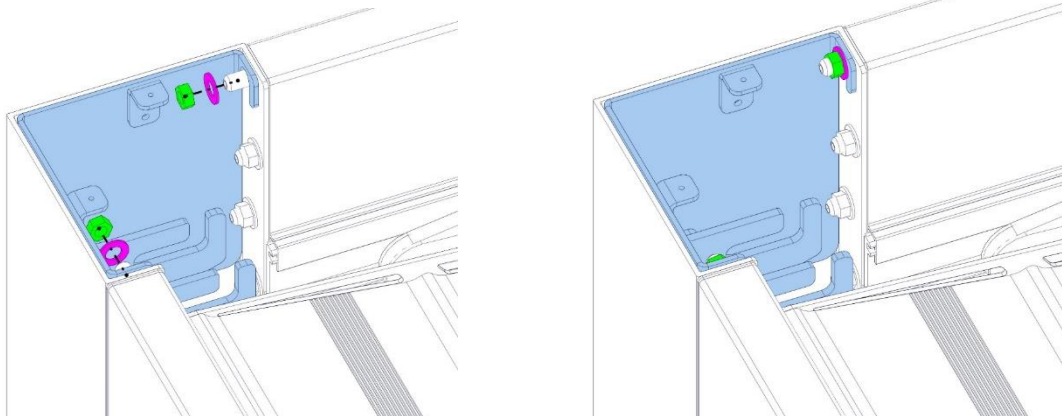
Panel Type 4 This is the last one

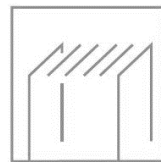


6. The wheel housing should be mounted in each corner at the non-motor end. The housing has to be aligned with your projection direction. Also mount the top nut, coloured green in the picture.



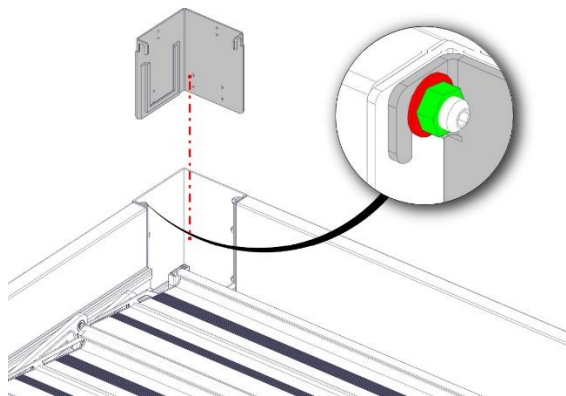
7. The bracket's housing will fit exactly on the pins. After that place the washer and fasten the nuts.



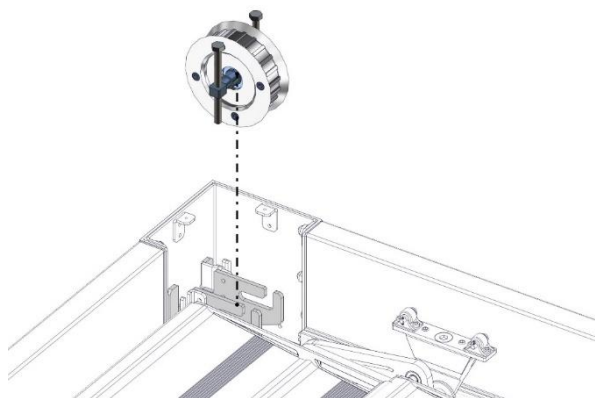


6.4 Motor end mechanism placing

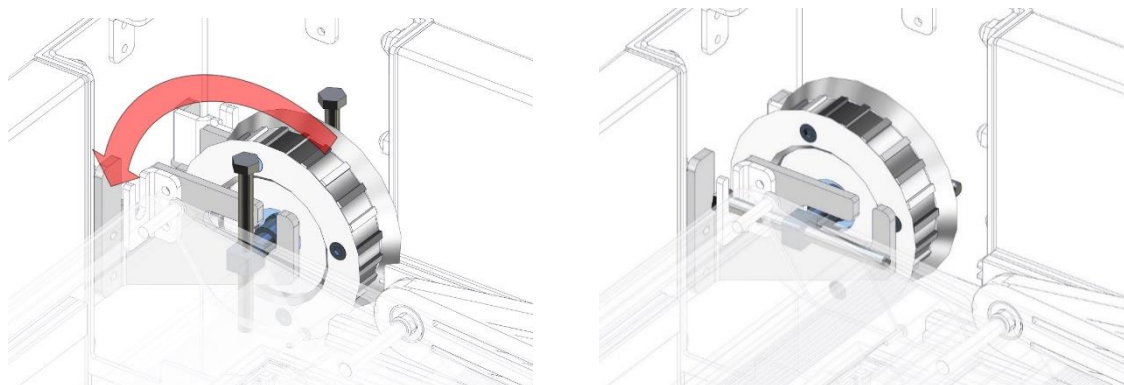
1. There is a suitable bracket for each side.

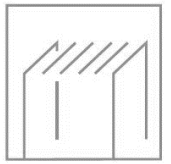


2. Place the front gear into the 'front mechanism house'.



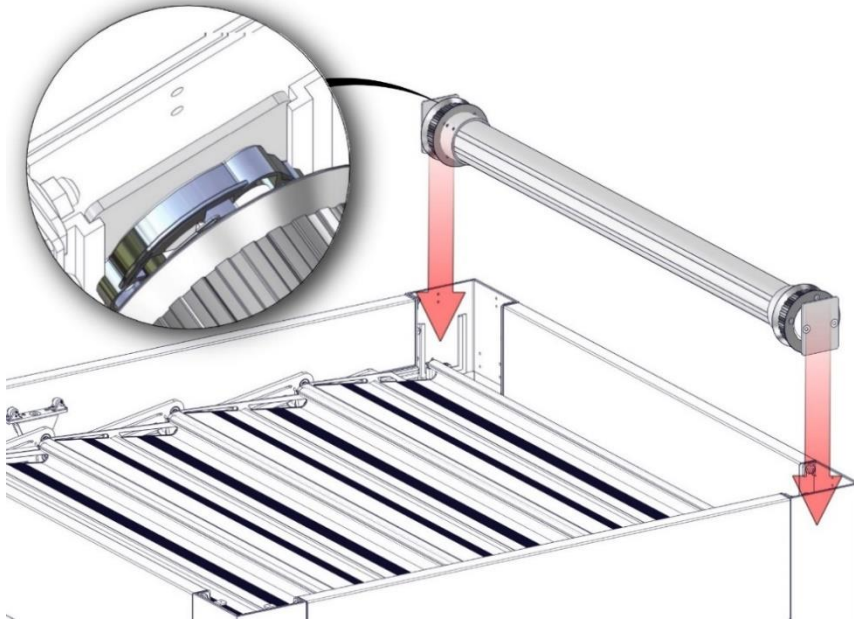
3. Turn and place the tensioning bolts. The tensioning bolts must be placed in the related housing.





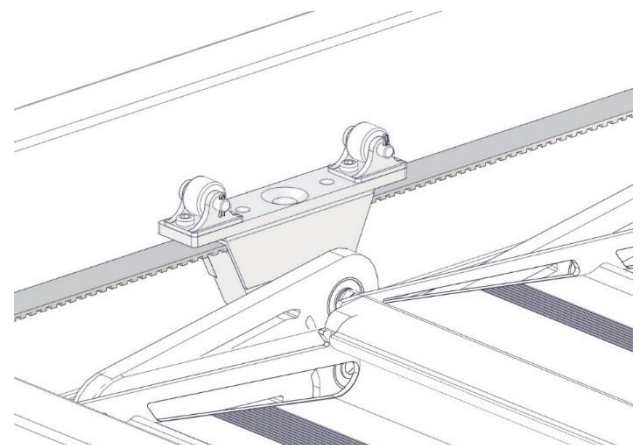
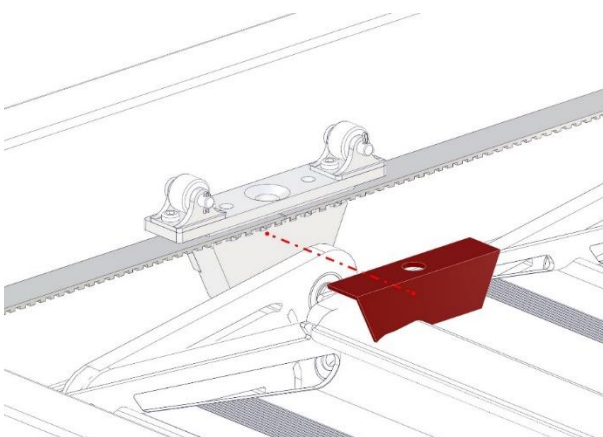
6.5 Place the tube-motor set

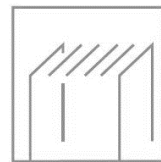
1. The tubular motor set has to be on the non-wheel end side of the pergola. It has a square plate that fits exactly in the rear housing bracket as shown below.



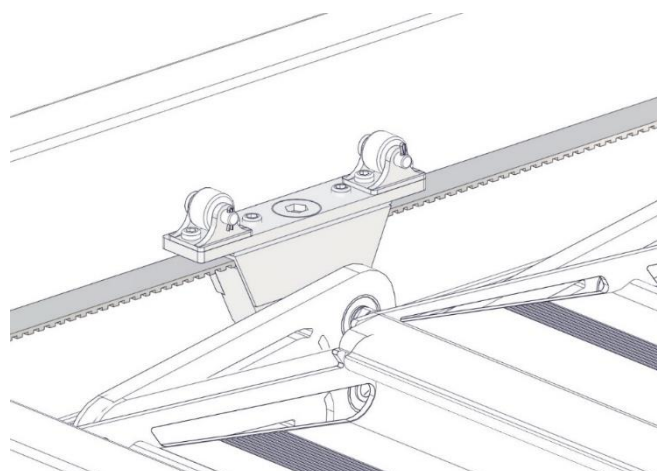
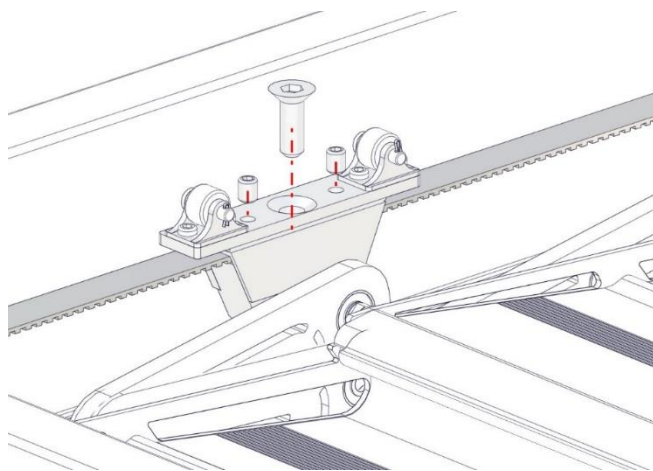
6.6 Rail belt installation

1. The rail belt goes over the front and back wheel. The belt connection point should be in the centre of the locomotive carrier.

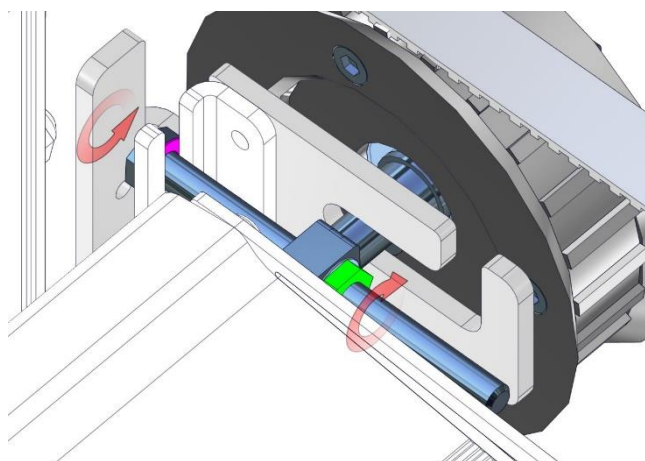




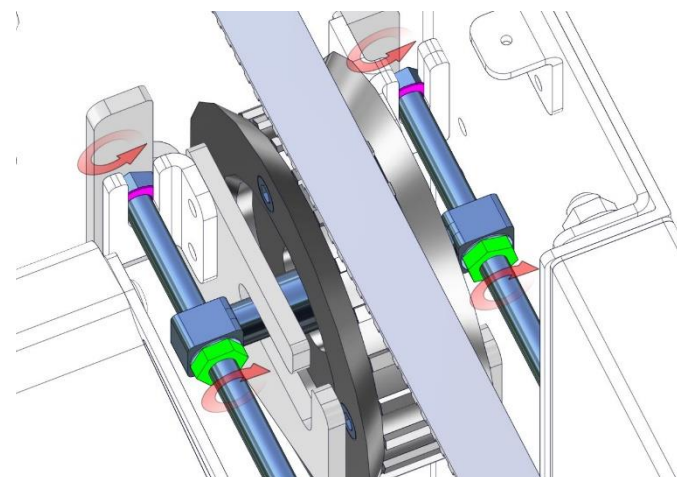
2. Fasten the brackets with a M6 countersunk bolt 1st and then tighten the 4x M4 bolts.

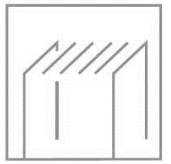


3. Rail belt tensioning; This bolt ensures the tension on the belt is adjustable



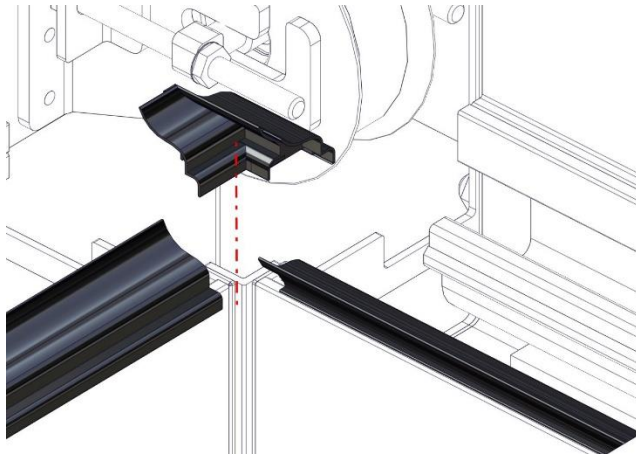
4. Make sure there is an equal level of tension on both belts. It should be the correct tension that so the belt doesn't sag, do not over tighten.



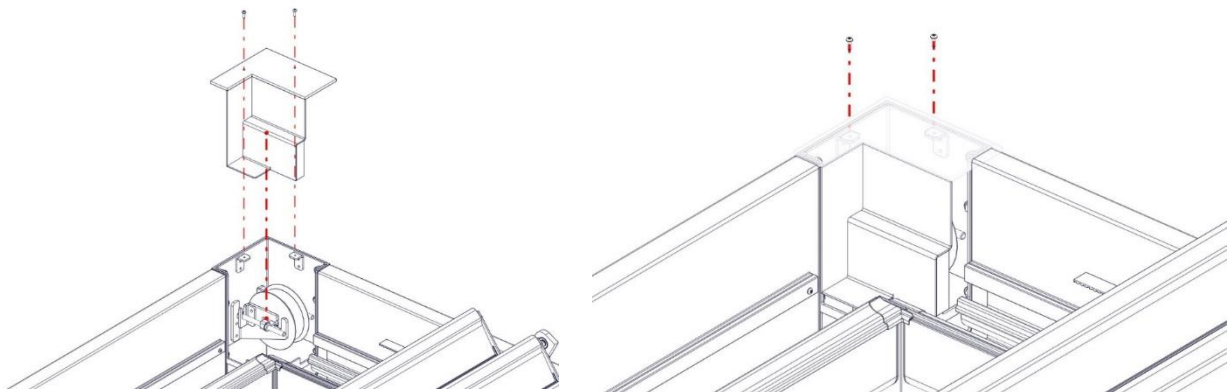


6.7 Finishing

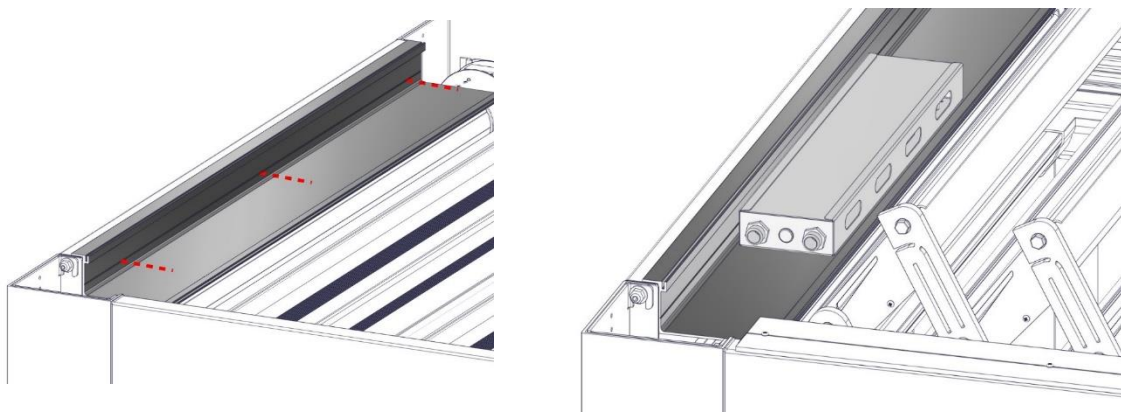
1. Place the special designed gasket into corners.

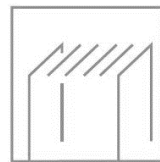


2. The corner cap should be on the frontside. Fix it to the housing with the M2,9x13mm rounded head screws.

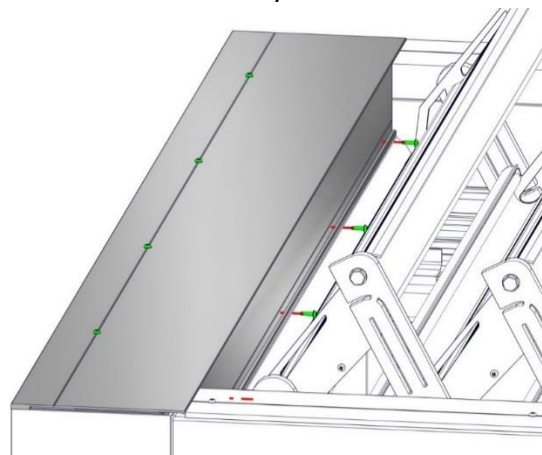
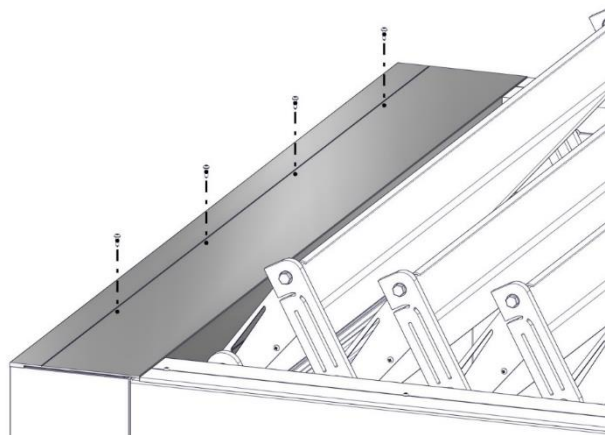


3. Place the tubular Motor covering profile; This profile should be on the rear and fixed with M2,9x13mm screws. If there is perimeter lighting, the lighting control box should be placed on the profile as you see at below. The cables should go from the corner to the box.

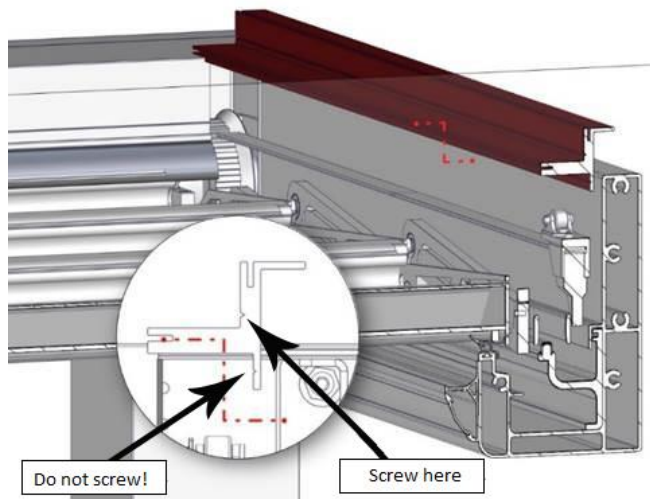




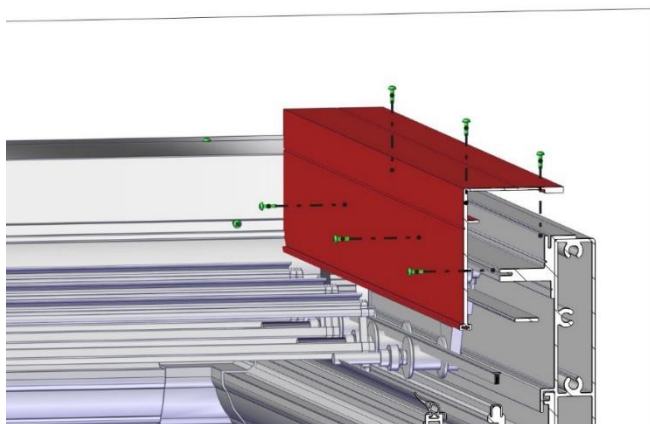
4. Install rear covering profile on the motor cover profile. Screw at least every 60cm.

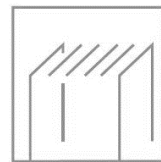


5. Install the side covering profile. Screw at least every 60cm

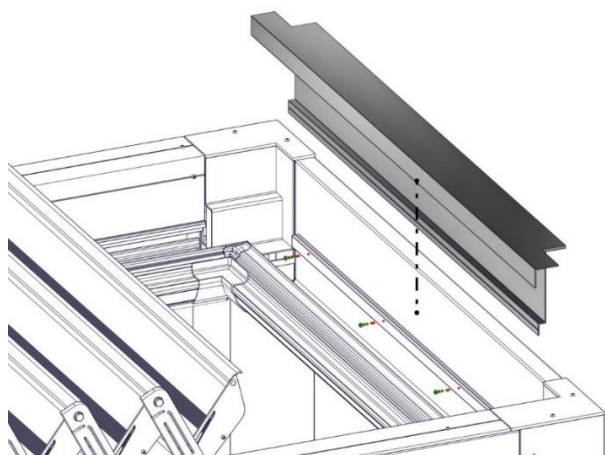


6. Install the side covering top profile. Screw at least every 60cm



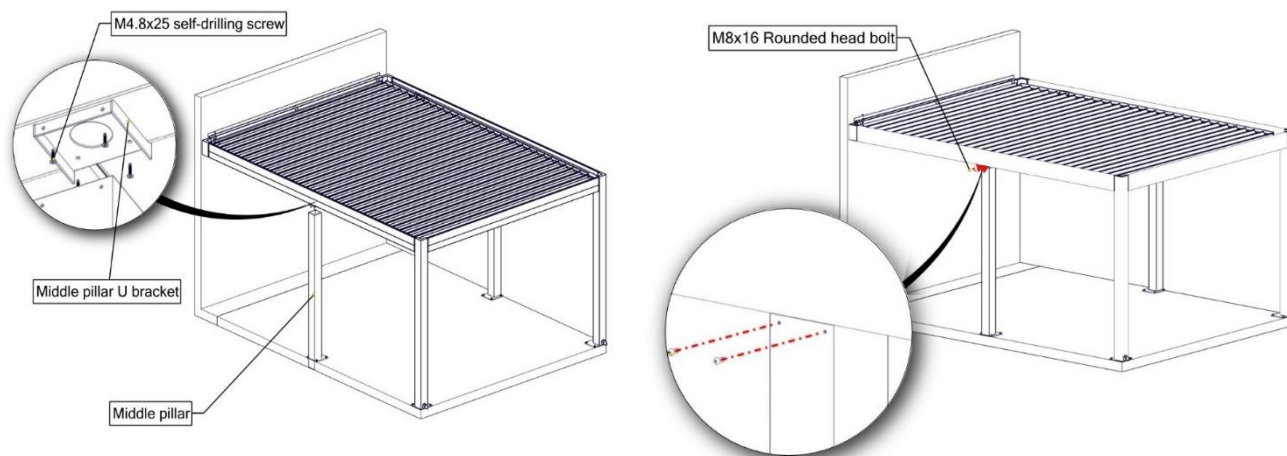


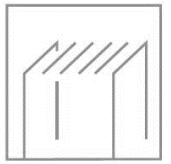
7. Install the front cover profile. Now mount the corners. Seal the opening seams with silicon sealant.



6.8 Middle Pillar connection (optional)

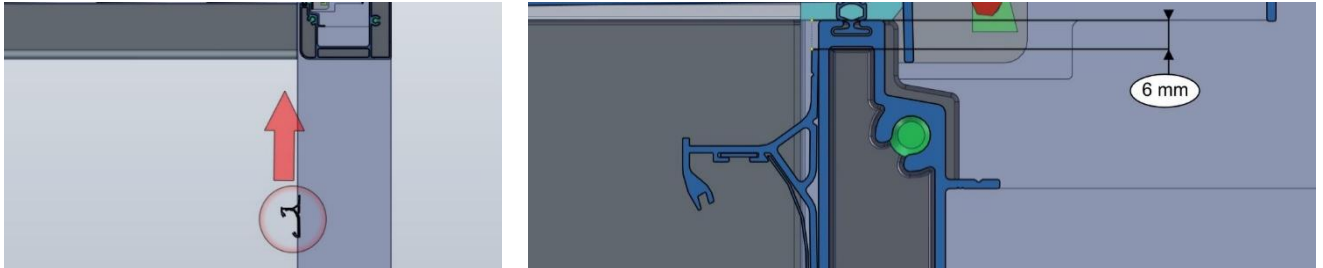
If your Pinela Deluxe has a projection of 607,8cm you need to add a middle pillar to the pergola structure. You can see on the below picture.



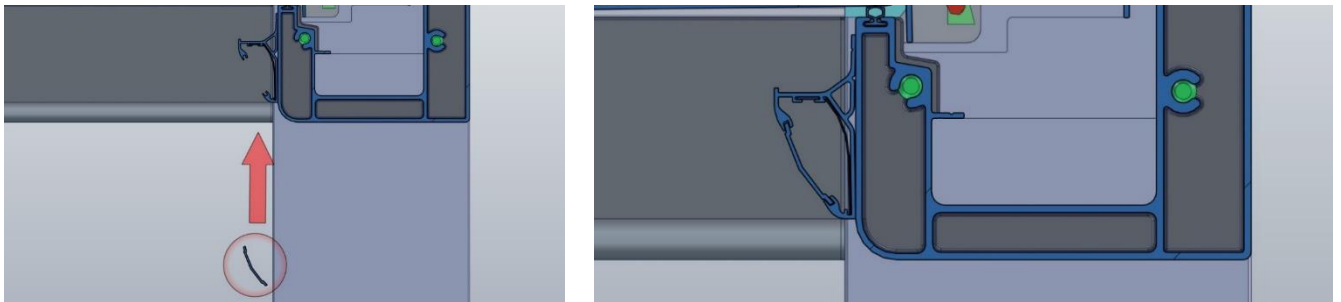


6.9 Perimeter lighting installation (optional)

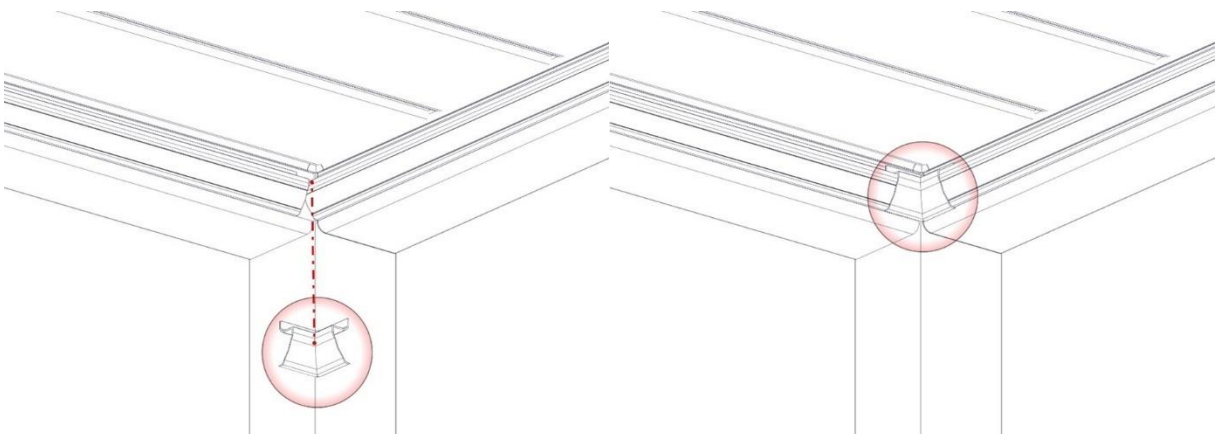
1. Place the perimeter lighting profile to the integrated gutter. The perimeter lighting profile should be installed 6mm down from the top of the integrated gutter.

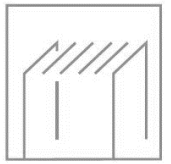


2. Place the perimeter lighting profile cap to the housing on the perimeter lighting profile.



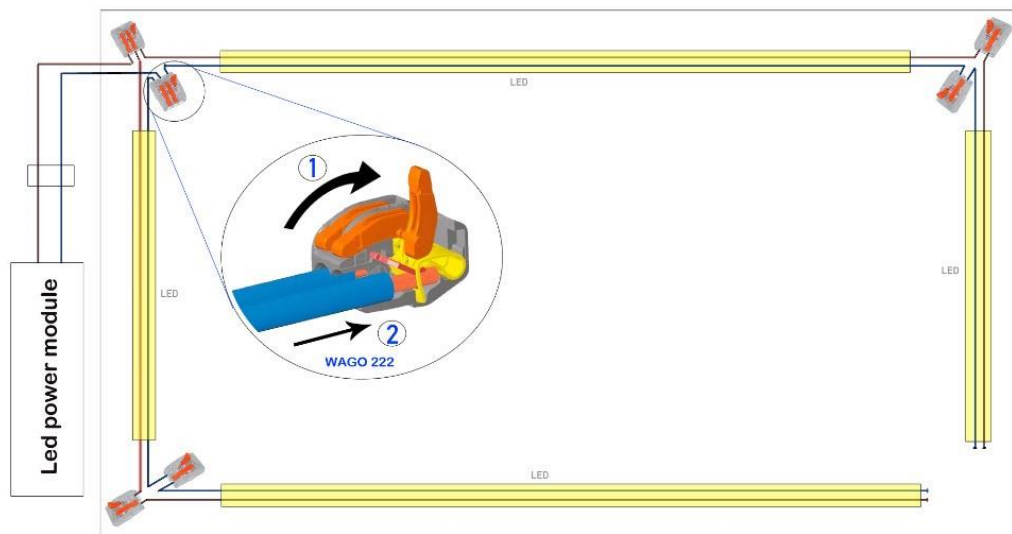
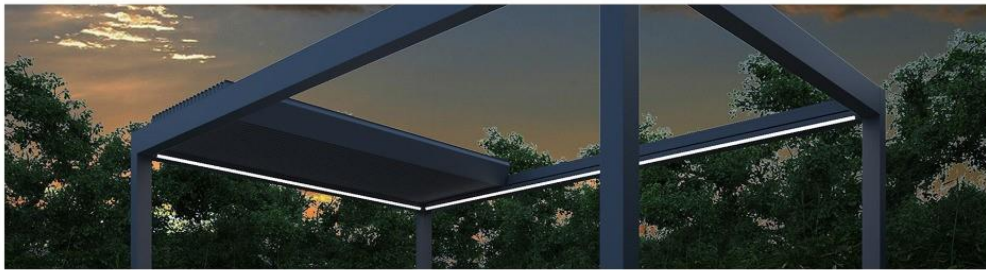
3. Place the corner plastic between the perimeter lighting profile in the corners.





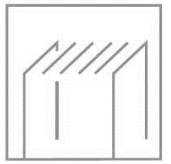
LED installation scheme

For the Pinela and Pinela Deluxe with the LED strips option.



⚠ Tip: The wires to the LED lighting are soldered and therefore more fragile on the solder point, do not pull or bend intensively at the installation.

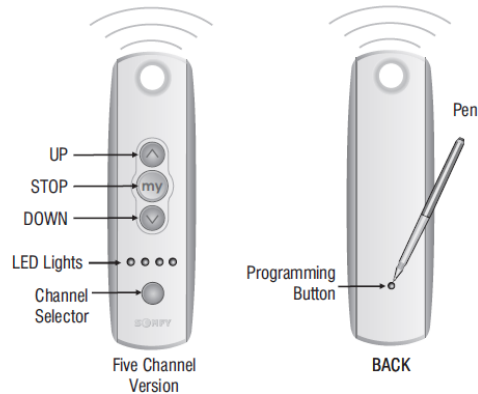
Tip: The most common wire strip length is 11mm, this may vary slightly depending on the welding cap used.



7. Programming instructions

7.1 Remote Control

The Pinela Deluxe is equipped with an integrated tubular motor operated by remote control. For opening, closing or stopping the panels you can use the respective buttons of the remote control.

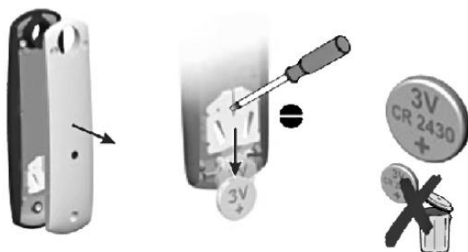


(see image below).

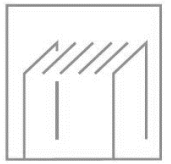
Remote control Details

Channels:	5
Battery type:	2430 Lithium
Battert voltage:	3V
Thickness:	22mm
Width:	49mm
Height:	145mm
Colour:	Wit
Radio frequence:	433,42 MHz
Radio Range:	20m through walls
Protection index:	IP30
Details:	Shockproof / For indoor use

Replacing the battery



Using a small screwdriver loosen the screws on the reverse side of the remote control and remove the back cover. Replace the battery with one 2430 Lithium 3V Battery.



7.2 Programming of the panels

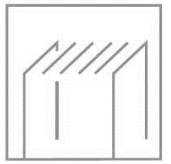
NOTE: The installation and initial setup procedures are the responsibility of a specialized technician.

Power Supply (230 V AC / 50~60 Hz)

- All wiring must conform to local electrical code.
- The control unit boxes can be wired in PARALLEL.
- There should be a way to disconnect the power at each motor independently.
- Only the control unit box needs to be powered. The receiver is completely housed inside of the control unit box.
- Deponti reserves her right to void the motor warranty if wiring recommendations are not followed.
- The control box only works with 230 V AC / 50~60 Hz.

Installation Requirements

- If the installation is with more than one RTS system, make sure only one RTS system is powered on during programming. All other RTS systems must be disconnected. This will avoid interferences during the initial programming of each motor.
- Use only SOMFY RTS radio controls. The receiver (433,42 MHz) must be programmed with the transmitters.



Steps to program the panels

Step 1: The control box has to be connected directly to electric power unit (230VAC/50~60 Hz). The motor will not respond to any transmitter until a transmitter is assigned to communicate with the motor.

Step 2: Choose the channel on your transmitter that you want to set for the motor.

Step 3: Press the UP and DOWN button together until the motor will jog briefly once.

Step 4: Check the direction. The UP button should open the system. (towards the motor).

Step 5: To set the back (Open) limits, push MY button and UP together (facing the motor). Stop close to the fully open position and then adjust to define the maximum open position. CAUTION – When opening the back position (motor end) the panels shouldn't touch each other.



Back limit position is defined.

Step 6: To set the front (Closed) limits, push MY button and DOWN together. Stop close to the fully closed position and then adjust to define the maximum closed position. CAUTION – Careful not to over close the panels, they should be sat comfortably in a closed position.

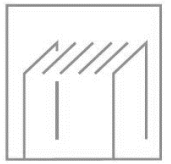


Front limit position defined.

Step 7: Press and hold MY button until the motor jobs briefly.

Step 8: Press and hold in the PROG button on the remote control until the motor jogs again, this means the front and back limits have now been set.

Step 9: Check both UP and Down limits are working correctly, by pressing the button once it should open or close fully to the set limits.



7.3 Programming of the lights (optional)

Programming

Step 1: While there is no power in the control box, power ON and power OFF 5 times max. within 5 seconds.

Step 2: Leave while power ON. The LED lights will blink within 10 seconds.

Step 3: Select a channel from your remote control you desired.

Step 4: Press the 'PROG' button for 2 seconds. The button located on the rear of your remote control.

Done

Resetting the LED control panel

Step 1: While there is no power in the control box, power ON and power OFF 10 times max. within 10 seconds.

Step 2: Leave while power ON. The LED lights will blink within 10 seconds. The lighting controlbox will be reset.

Done

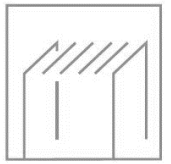
Using the remote control

'UP'-Button: It ensures activate on your lighting system. When you press the UP-button constantly, the LED light will up through DIMMING feature.

'DOWN'-button: It ensures Passive on your lighting system. When you press the DOWN-button constantly, the LED lights will down through DIMMING feature.

Transfer the channel on the current remote control to a different remote control:

1. On the current remote, select which channel you want to transfer.
2. On the current remote, keep the PROG button pressed. (LEDs will be turned on and off)
3. In the new remote, select which channel you want to choose.
4. On the new remote, press and release the PROG button. (LEDs will be turned on and off)



8. FAQ

FAQ	REASON	HOW TO RESOLVE?
The product motor would not start	The motor is not powered	Check if there is power to the unit control box.
	The motor is in thermal protection	Wait for 30 minutes, the motor is now too hot.
	The motor has no regular current	Disconnect the power and wait for 15 minutes then try to start again. Please call our technical service if the motor is not started again.
Lights are not on	Not all lights are on	Check if the product is powered. The power must be disconnected and connected again. Please call our technical service if nothing changes at lights.
The remote controller does not work	It does not control the product	The battery should be replaced.
	Lights are not on	
The product leaks water	The product isolation leaks water	Make sure that areas of the system water tightness gaskets are clean (leaves, branches, etc.).

9. Maintenance

We recommend that you maintain and clean your pergola at least once a year.

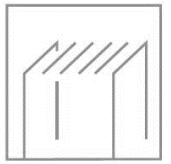
Check whether the screw connections are tight. If not, tighten them firmly.

The aluminium profiles that are dirty can be cleaned with lukewarm water and a cleaning product.

- Use a soft brush or sponge.
- Never use abrasives, aggressive solvents or a pressure washer.
- Wet first and rinse off with lots of water, and then wipe with a soft cloth.

10. Disposal of waste

Dispose of the product according to local laws and regulations.



11. Warranty conditions

Warranty in accordance with the warranty conditions and Deponti's general terms and conditions. These can be found on the website www.deponti.com.

Please review the respective articles indicated under the main titles include in the manual for the details of aforementioned special cases. All manufacturing defects are under scope of warranty within the following periods.

Paint (Aluminium Standard Parts)	5 Years *
Motor	5 Years
Motor Parts	2 Years
Electronic Remote Controller and Receivers	2 Years
Electronic Cards, Circuits, Boards	2 Years
LED Lights	2 Years
Plastic Parts	2 Years
Paint (Steel Components Special Parts)	1 Year

** The paint warranty is 2 years under ambient conditions at places that have moisture spray with salty and chemical steam (port, coastline, swimming pool, etc.).*

12. Contact

IMPORTANT: Your Deponti representative is your first point of contact for questions and comments.